



RUTHMANN

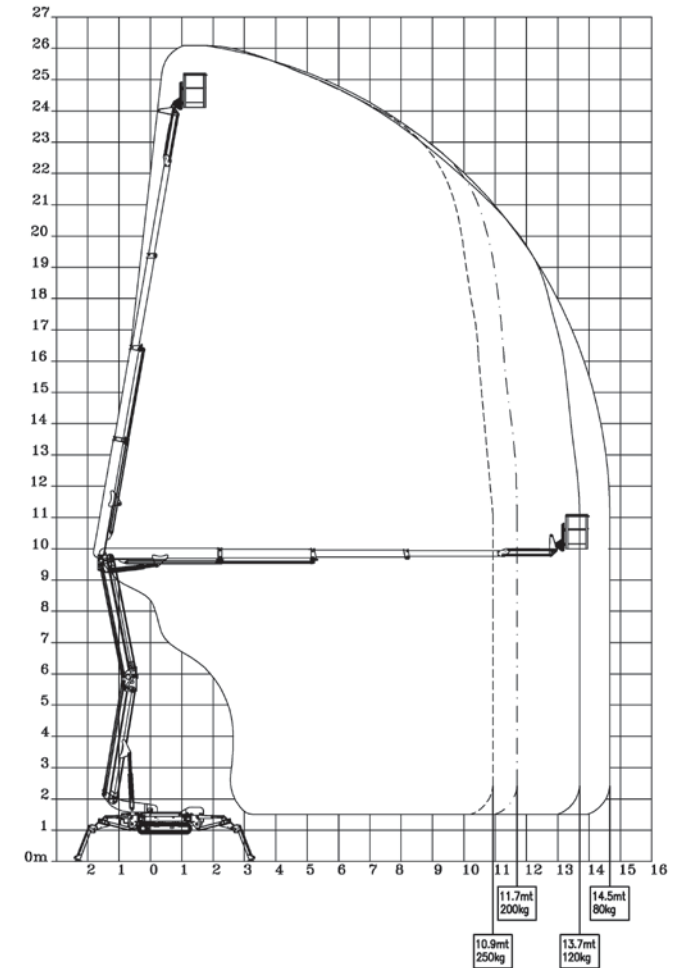
# 26M SPIDER LIFT

Bluelift SA26

# BLUELIFT SA26

## TECHNICAL SPECIFICATIONS

Max Working Height	26 m
Max Horizontal Outreach	14.5 m at 80 kg 13.7 m at 120 kg 11.7 m at 200 kg 10.9 m at 250 kg
Max Rated Capacity (Basket Load)	250 kg
Basket Dimensions	1.3 m x 0.7 m x 1.1 m
Weight (Engine + 240V)	3350 kg
Weight (Engine + Batteries)	Increases with Blue Lithium or Hybrid pack (exact weight not specified)
Turret Rotation	340°
Basket Rotation	124°
Ground Pressure Driving (Approx.)	46.55 kN/m <sup>2</sup>
Ground Pressure in Working Position	22.71 kN
Auto Leveling	Yes, self-stabilizing system
Gradeability Lengthwise	28%
Standard Engine	Honda iGX
Optional Engine	HATZ 1B50 diesel with auto RPM control and Start/Stop
Dual Power Options	230V electric motor (2.2 kW) and combustion engine
Expanding Tracks	Yes, adjustable track width system
Max Drive Speed	1.5 km/h
Radio Control	Yes, with interactive multi-lingual display
Electric Emergency Lowering	Yes, includes hand pump for emergency lowering



# BLUELIFT SA26

## TECHNICAL SPECIFICATIONS

